

Rely on Ruud™

Water Heating



# MARATHON®

## FULL-SIZED MARATHON® specifications

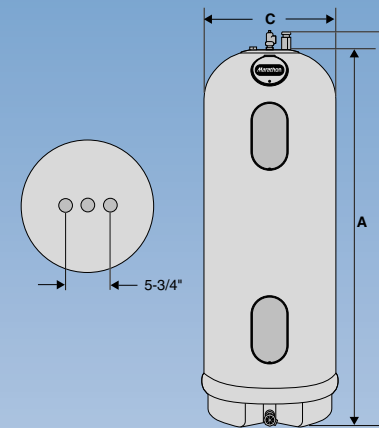
TYPE	DESCRIPTION		FEATURES		ROUGHING IN DIMENSIONS (SHOWN IN INCHES)				ENERGY INFORMATION		
	GAL. CAP.	MODEL NUMBER	FIRST HOUR RATING G.P.H.	RECOVERY IN G.P.H. @ 90° RISE	TANK HEIGHT A	HEIGHT TO WATER CONN. B	TANK DIAMETER C	APPROX. SHIP WT. (LBS.)	ENERGY FACTOR	AVERAGE ANNUAL OPER. COST	APPROX. R-FACTOR
TALL	40	MR40245	52	21	61-1/2	65-1/2	21-3/4	91	0.94	\$497	R-20
	50	MR50245	61	21	62-3/4	66-3/4	23-1/2	103	0.94	\$497	R-20
	85	MR85245	91	21	66-1/4	70-1/4	28-1/4	139	0.92	\$508	R-20
	105	MR105245	104	21	66-3/4	70-3/4	30-1/4	152	0.91	\$514	R-20
SHORT	50	MSR50245	54	21	43-3/4	47-3/4	28-1/4	101	0.90	\$520	R-20

- Water heaters furnished with standard 240 volt AC, single phase non-simultaneous wiring, and 4500 watt upper and lower heating elements.
  - For height to top of T&P and heat traps add 3-1/2" to the height to water connection.
- Maximum test pressure: 300 PSI  
Maximum working pressure: 150 PSI

Recovery = wattage/2.42 x temp. rise °F.  
Example:  $\frac{4500W}{2.42 \times 90^\circ} = 21 \text{ GPH}$



Energy Factor and Average Annual Operating Costs based on D.O.E. (Department of Energy) test procedures. D.O.E. national average fuel rate electricity 10.65¢/KWH.



## POINT-OF-USE MARATHON® specifications

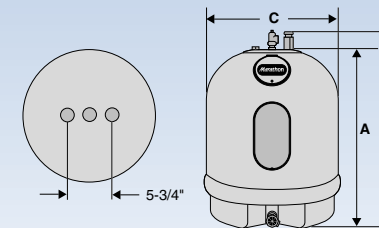
GAL. CAP.	DESCRIPTION		FEATURES		ROUGHING IN DIMENSIONS (SHOWN IN INCHES)				ENERGY INFORMATION		
	MODEL NUMBER	ELEMENT WATTAGE	VOLTAGE	TANK HEIGHT A	HEIGHT TO WATER CONN. B	TANK DIAMETER C	APPROX. SHIP WT. (LBS.)	ENERGY FACTOR	AVERAGE ANNUAL OPER. COST	APPROX. R-FACTOR	
15	MR15120	2000	120	31-3/4	35-3/4	21-3/4	46	N/A	N/A	R-20	
20	MR20120	2000	120	30-1/2	34-1/2	23-3/4	51	N/A	N/A	R-20	
20	MR20230	3000	240	30-1/2	34-1/2	23-3/4	51	N/A	N/A	R-20	



These units are designed to meet or exceed ANSI (American National Standards Institute) requirements and have been tested according to D.O.E. test procedures and meet or exceed the energy efficiency requirements of NAECA, ASHRAE standard 90, ICC Code and all state energy efficiency performance criteria for energy consuming appliances.

Before purchasing this appliance, read important energy cost and efficiency information available from your supplier.

*In keeping with its policy of continuous progress and product improvement, Ruud reserves the right to make changes without notice.*



# Hot Water for Life!



Rely on Ruud™

# MARATHON®

Standing the test of time



**NO SMELLY WATER**  
Non-metallic design eliminates chemical interactions with sulfates



**LIGHTWEIGHT**  
Easy to move, handle and install



**NO RUST, NO CORROSION**  
Tough blow-molded plastic tank and outer shell withstand the harshest environments



**ENERGY EFFICIENT**  
Highest energy factors available – free of ozone depleting CFCs and HCFCs

## ELECTRIC WATER HEATERS



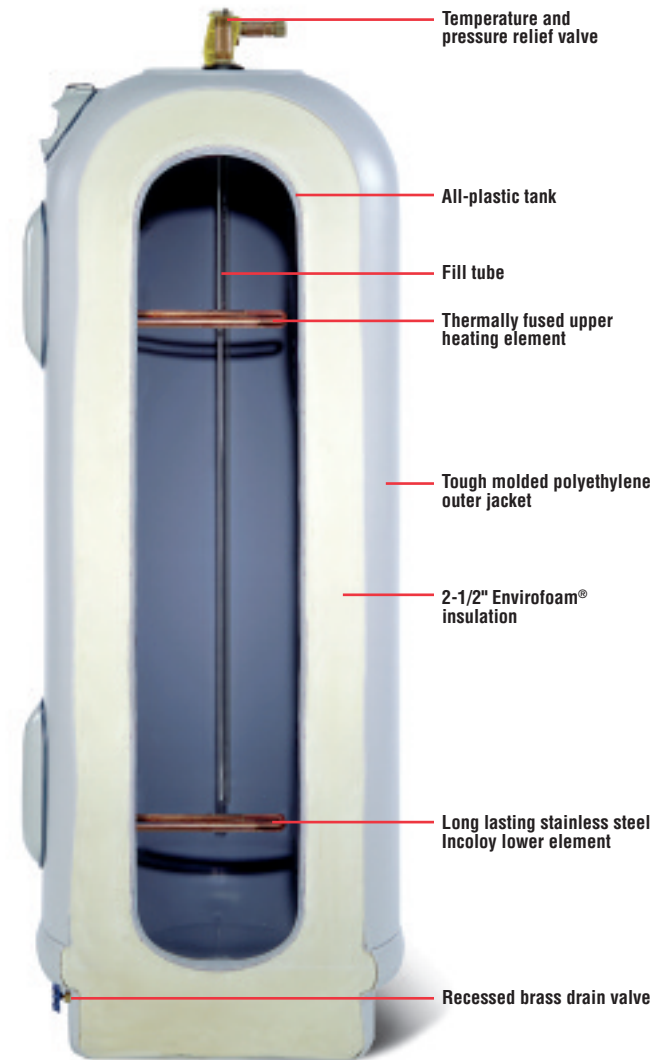
Full-sized 40, 50, 85 and 105 gallon models

Space-saving 15 and 20 gallon models for limited spaces (point-of-use)

### Lifetime Tank/ 6 Year Parts Warranty\*

Privately owned, single family dwellings – the tank is warranted not to leak “for as long as you own your home”. If the home is sold, the warranty reverts to fifteen years from the date of installation and the second owner receives coverage for the time remaining. Parts are warranted for 6 years from date of manufacturer or 5 years from the effective date, whichever is greater.

\* See Marathon Warranty Information Brochure at your dealer for complete warranty information.



Temperature and pressure relief valve

All-plastic tank

Fill tube

Thermally fused upper heating element

Tough molded polyethylene outer jacket

2-1/2" Envirofoam® insulation

Long lasting stainless steel Incoloy lower element

Recessed brass drain valve

#### Plus So Much More!

- Bowl-shaped bottom for more complete sediment draining
- Factory installed vacuum relief valve
- Wiring connections are standard
- Inlet and outlet connections are 3/4" N.P.T.
- High temperature polysulfone dip tube
- The most energy efficient in its class

Ruud Heating, Cooling & Water Heating  
101 Bell Road • Montgomery, AL 36117-4305  
800-621-5622 • www.ruud.com  
sales@rheem.com

Ruud manufactures residential & commercial heating, cooling & water heating products.



Rely on Ruud™

## Here's why you will love your new Marathon...

The Marathon's sleek, modern design will catch your eye, but its true beauty is more than skin deep.

**Lifetime Tank Warranty!** It will be the last water heater you will have to purchase for your home.

**High Efficiency!** Save money on your energy bill. Two and a half inches of Envirofoam® insulation allows only 5° F heat loss in 24-hours! Marathon efficiency saves energy, and your pocketbook. Marathon's renowned durability eliminates buying a new water heater every 10-years (national average) this also eliminates the cost of re-installing water heater every 10-years or so. Marathon has significantly lower total cost than typical water heaters.

**No Smelly Water!** We don't need an anode rod, so it eliminates rotten-egg smell caused by typical anode rod interaction with sulfates found in many water systems.

#### High-Tech Construction!

- Polybutene inner tank cannot rust or corrode which makes it great for 'brutal well water' conditions
- Filament-wound fiberglass inner tank creates the toughest and strongest tank in the residential water heater industry
- Easy-on/easy-off water connections
- Commercial grade, high temperature dip tube eliminates dip tube failures
- Self-cleaning action caused by bowl-shaped tank bottom, coupled with a brass drain valve located at the very bottom of the tank provides for more complete drainage
- "Car bumper tough" polyethylene exterior resists dents, and bumps

**No extra parts to purchase!** Your Marathon comes with a factory installed T&P (temperature & pressure relief) safety valve, 4 feet of pipe insulation to save energy, plus union fittings on all connections.

See reverse for specifications